

Airwall Hangers™

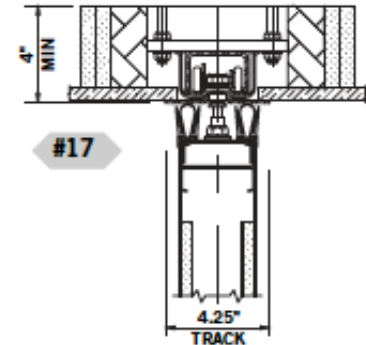
www.airwallhangers.com

1244 Knoxville Street, San Diego, CA 92110

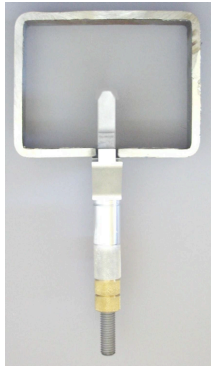
E-mail: questions@airwallhangers.com

Ph: 877-498-5228– Fax: 619-704-1016

TITAN XL 17 500 lb Max Load Capacity



MADE IN THE U.S.A.



Step 1:
Insert until base fits
securely into track opening



Step 2:
Push bolt upwards
and rotate 90 degrees



Step 3: Secure
a. Release bolt so that head
comes downward to seat on
riding surface of the track
b. Tighten barrel nut to lock
TITAN in position

Modernfold 17 Steel Track

TITAN Airwall Hangers™ are load tested and certified rigging hardware custom designed to suspend equipment from operable wall track systems. Manufactured in the U.S.A., these **patent pending** products are specifically designed for use by professional riggers, audio/visual companies, lighting professionals and other competent persons to safely and efficiently suspend equipment from operable wall track systems without the risk of damage to your facility, equipment or injury to personnel.

Only professionals trained in the overhead suspension of equipment should use this product. Protect the health and safety of yourself, your co-workers and your customers as well as safeguarding your organization's liability by only hiring competent personnel and using certified hardware for all your rigging needs. To find professionals in your area look at the membership directories of these fine organizations:

- ESTA – Entertainment Services & Technology Association
- ISES – International Special Events Society
- IATSE – International Alliance of Theatrical & Stage Employees
- PLASA – Professional Lighting and Sound Association

Airwall Hangers reserves the right to make modifications to TITAN designs.

TITAN AIRWALL HANGERS™ SAFETY RULES:

- NEVER exceed the **WLL (Working Load Limit)** of any TITAN Airwall Hanger.
- NEVER exceed the **WLL or UDL (Uniform Distributed Load)** limit of any rigging component or device attached to TITAN Airwall Hangers.
- NEVER EXCEED the WLL or UDL limit for the operable wall track. Always check manufacturer specified load ratings. For multiple point loads, always check with your rigging professional first.
- NEVER EXCEED the WLL or UDL limit of the structure supporting the track and load.
- NEVER use TITAN Airwall Hangers to lift or support people.
- NEVER use TITAN Airwall Hangers to lift live loads such as motors, pulleys, traveler tracks, etc.
- NEVER alter or modify TITAN Airwall Hangers in any way.
- NEVER side-load any TITAN Airwall Hangers.
- Protect TITAN Airwall Hangers from abrasions and impacts. Dragging, dropping, sliding or transporting loose hangers with other parts or products can cause damage to the TITAN Airwall Hangers.
- Immediately remove from service any TITAN Airwall Hanger that is damaged or has been used in such a manner that its WLL has been exceeded.
- Visually inspect all TITAN Airwall Hangers prior to each use.

WARRANTY

Airwall Hangers makes no warranty of any kind, express or implied except that the products sold under this agreement shall be free of defects in materials and workmanship for a period of one year from the user's date of purchase. User assumes all liability and risk resulting from the use of the goods. Airwall Hangers neither assumes nor authorizes any person to assume for it any other liability in connection to the sale of this product. Under no circumstances will Airwall Hangers be responsible for damages either direct or consequential to the use of this product. Any damage caused by improper use, operation beyond rated capacity, substitution of parts, failure to observe installation or other instruction, improper transport or handling, or repair by one other than Airwall Hangers will not be covered by and shall void this limited warranty.